



AGJ APRÍTÓGÉPGYÁR Kft.

Headquarters: H 5100 Jászberény, Honvéd u.27.

Location: H 5100 Jászberény, Sportpálya u.1.

Postal address: H 5100 Jászberény, PF.: 44

Tel.: +36 57 515 355, Fax: +36 57 515 356 E-mail: agj@agj.hu

1 piece of RT 60/35 FM crushing equipment (Customs Tariff No: 8474209000)

(We hereby declare, that this equipment is a used machine manufactured by Jászberényi Aprítógépgyár Zrt in Hungary in 2006, and, prior to that, it was not purchased by claiming of any Hungarian or EU support either.)

Design of crushing equipment is shown by sketch No 080609 attached.

Set-up and operation of equipment:

The material to be crushed gets to the vibrating feeder, see position number 1. The vibrating feeder stores and feeds the loaded material. The speed of feeding can be controlled with a frequency changer. From the vibrating feeder, the material comes to the impact crusher, see position number 2, and then the crushing leaves the crushing equipment through the discharge band, see position number 3.

For the impact crusher, binding of the dust is made by the application of water spray; water demand is 1-2 m³ per hour.

Units with position numbers of 1 and 2 and 3 are situated on the frame structure with position number 4. Included in the equipment, there is also an electrical control cabinet, which can join to the electric network as well as to a separate aggregate block.

Note:

- Maximum grain size and composition of the crushing product, as well as the crushing performance can be influenced by changing of the rotation speed of the impact crusher, and by the adjustment of crusher gap size.
- The equipment also has a feeding grid, which prevents pieces exceeding the maximum allowable size from feeding. This grid can be seen on the sketch No 080610.

Further technical characteristics as per the machine list below:

MACHINE LIST – FOR THE RT 60/35 FM CRUSHING EQUIPMENT

Pos	Denomination	El. energy need	Weight
1	1 piece of Vibrating Feeder - U 500x4000 Drive: 2 pcs 1.5 kW vibro motors	3 kW	700 kg
2	1 piece of Impact Crusher RT 60/35 Rotor size: 630x580mm 665kg Number of beaters: 3 Drive: from electromotor with V belt (n=1440)	30 kW	2,750 kg without drive
3	1 piece of Discharge Band - 7.3/800 Width of belt: 800mm Axle spacing of drums: cca. 7,300mm Drive: from barrel engine	5,5 kW	1,500 kg
4	1 piece of Frame Structure /+impact crusher drive/	--	3,950kg

Total:	38.5 kW	8900 kg
---------------	----------------	----------------

Attachment: outline sketches No 080609 and 080610

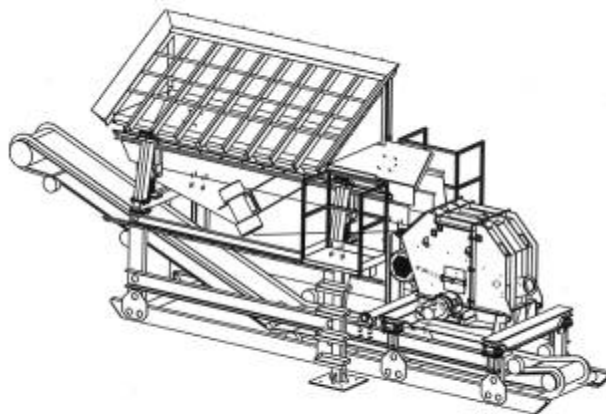
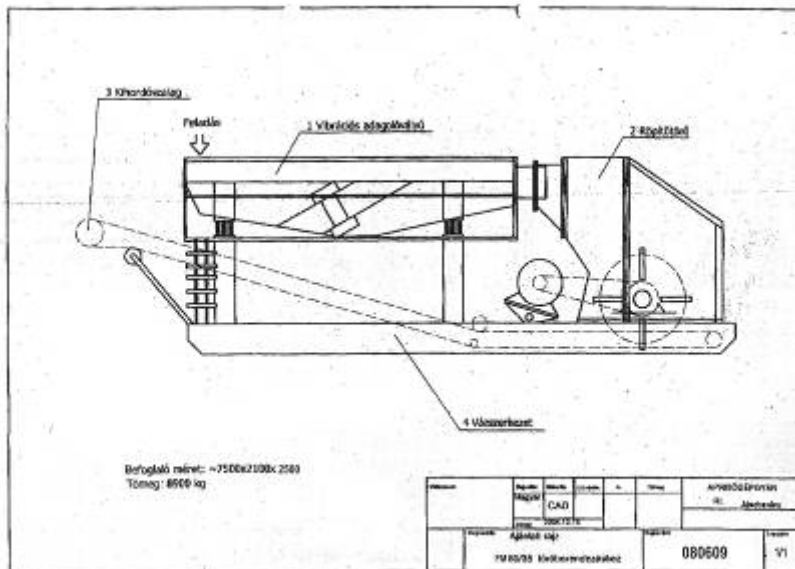
Price: At a lump-sum price, net unit price for one piece is HUF **12,800,000** + VAT (20%) that is HUF 2,560,000 = gross price: HUF 15,360,000
The price includes revision in production plant and making some smaller maintenance works.

(For information: production price of a new machine is HUF 21,900,000 + VAT; production deadline is 4 months.)

Guarantee: We undertake a guarantee for 6 months calculated from the takeover of the machine; it does not apply to the so called wear parts being in contact with the material.

Payment: Following visual inspection and probing without material, against invoice, by bank transfer, prior to the transportation of the machine.

Date of expiry: In case of paying an advance deposit, which is 50% of the net machine price, the machine will be held at disposal for a period of 3 months.



Papp Géza

FM 60/35 TÖRŐBERENDEZÉS

080610